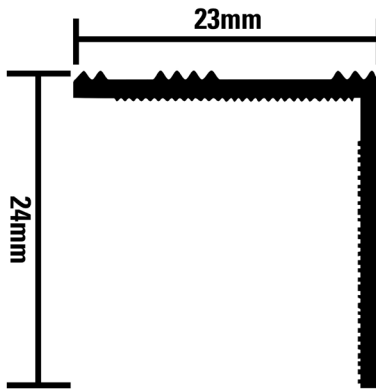
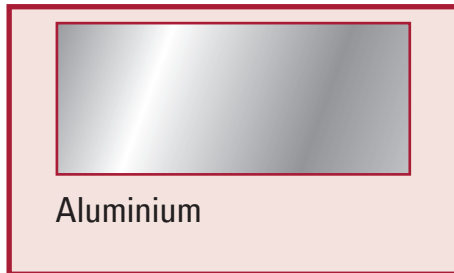


# Small Angle

RT3227A



## FINISHES



## PRODUCT DESCRIPTION

The Small Angle doorbar is designed for protecting the edges of steps and finishing thick hard flooring material.

Intended for material 24mm thick, providing a textured surface to prevent slipping. The textured underside bites into the flooring to prevent the material sliding underneath.

## DIMENSIONS

This doorbar is 23mm wide, 24mm tall and comes in 2.7m lengths. The entire doorbar is visible once installed.

## MAINTENANCE

Roberts Doorbars are easy to maintain, requiring no special materials to clean.

Aluminium can be corroded by alkaline substances so alkaline cleaner materials should be avoided and quickly removed if contact is made.

Cement and cement-based substances, such as some grouts, become alkaline in contact with water. It is important to correctly seal the area surrounding the doorbar to prevent water pooling and damaging both the substrate and doorbar. Moisture resistant underlay is recommended if compatible with flooring.

The aluminium finishes will oxidise over time. A polishing agent can be used to remove it however it will oxidise again. Aluminium oxide results in a duller finish but is protective.

## INSTALLATION

1. Measure the length of the flooring edge/doorway and cut the profile to match.
2. Install the flooring as directed.
3. Glue down the profile using a contact adhesive.